

BLUFALD^{KING}

PONSSE

***A POWERHOUSE
FOR DIVERSE
HARVESTING TASKS***





PONSSE BUFFALO KING

A VERSATILE PROFESSIONAL IN TIMBER HAULING

THE PONSSE BUFFALO KING is the largest machine in our popular Buffalo model series. Its technical systems, reliability in all conditions, combined with its broad range of customisation options, make the Buffalo King a dependable tool built to meet the customers individual needs. With a load-carrying capacity of 18 tons, a reach ranging from 7.8 to 10 meters, Active Crane and a number of other technical options, we can truly talk about customer-specific customisation.

PONSSE BUFFALO KING

The best machine with durable technical systems, proven in operations around the world, can easily be found from PONSSE Buffalo King's broad range of models and optional equipment – to meet each individual need. The model series consists of eight-wheeled base machines that can be modified in diverse ways. Equipped with the Active Crane boom control system, the grapple becomes an extension of the operator's hand. It goes where you want it to go, easily and effortlessly.

CABIN AND CONTROL SYSTEM

The most spacious and comfortable cabin and the most ergonomic controls guarantee the best working comfort. PONSSE Opti information system is an advanced and easy-to-use interface for machine and work management.

ENGINE AND HYDRAULICS

Powered by a Mercedes-Benz engine, producing consistent power over a broad rpm range, Buffalo King moves with the toughness of its namesake. Its fast response to the throttle, steady torque and strong hydraulics make the machine humble and easy to use.

FRAME STRUCTURES AND FRAME OSCILLATION LOCK

The design of the Buffalo King frame focuses particularly on durability and ease of maintenance. The reliable frame oscillation lock, equipped with hydraulic cylinders, is solid and acts as a shock absorber when driving. In addition to reliability, the functional positioning and serviceability of components are typical characteristics of the structure.



POWER AND PRECISION

Buffalo King's strong hydraulics and precise feel make loading easy and reliable. The maximum reach of the loaders extend all the way to 10 meters.

ACTIVE CRANE

PONSSE Active Crane offers a new way of controlling the loader and boosting efficiency. It is a loader control system which the operator uses to control the grapple movement instead of individual functions, allowing the operator to concentrate efficiently on loader work. Active Crane is easily controlled using two levers, one of which controls the grapple height from the ground and the other controls the direction of movement. What is essential is that the operator does not need to control all the functions simultaneously. Once the appropriate grapple location has been given to the machine, it will perform the lift and use the boom and extension automatically. The operator can easily switch between Active Crane and conventional loader control with the push of a button. Active Crane is based on Ponsse's unique Sensor Module technology, which is used in the PONSSE Scorpion leveling system and the PONSSE Active Frame suspension system. This provides the Active Crane with easy maintenance and reliability.

CABIN

WORKPLACE WITH A VIEW

THE BUFFALO KING HAS NO OBSTACLES TO PRODUCTIVITY IN SIGHT.

The PONSSE Buffalo King cabin is your vantage point to the latest in forest machine technology. It is a work environment for professionals who value comfort, safety and ergonomics.

The control devices are the best you will find in forest machines in terms of their ergonomics. The large cabin, expansive windows and thin window pillars ensure excellent visibility in all directions.

Optionally the cabin can also be equipped with the best forest machine seat in the world, PONSSE Seat.



PONSSE SEAT*

UNBEATABLE COMFORT

THE ONLY SEAT ON THE MARKET SPECIALLY DESIGNED FOR FOREST MACHINE DRIVERS.

COMFORT ABOVE ALL ELSE.

The breathable fabric and ergonomic seat supports, guarantee improved working comfort.

DURABLE AND EASILY MAINTAINABLE FABRIC.

Seat fabric is especially durable and the dirt repellent surface makes cleaning effortless.



DURABLE AND STABLE BASE.

A strong base provides the seat with superior reliability and stability. Thanks to the suspension specifically designed for forest machines, the PONSSE Seat decreases effectively swinging and impacts towards the operator.

EASY ACCESS TO SEAT CONTROLS AND BASE.

All adjustment controls are conveniently located at the front of the seat cushion. The removable cushion gives easy access to the seat base for maintenance.

* PONSSE Seat is available as option to all PONSSE machines.



**ACTIVE
CARE**

LESS SERVICE, MORE OPERATION

The technology and hydraulics offer longer service intervals, increasing effective operating hours and reducing operating costs. Easy access to important components speeds up maintenance. In all PONSSE models special attention has been put into the positioning of components and service points, as well as the ease of maintenance, as requested by our customers.

ENSURE MAXIMUM PRODUCTIVITY PONSSE

Active Care service agreements offer the best possible service for forest machine entrepreneurs. You can focus on your logging, while Ponsse will make sure that the machine will maintain its performance and productivity from one logging site to the next. With the PONSSE Active Care service agreement, you can outsource the scheduled maintenance of your forest machine to Ponsse. Machines are maintained regularly by our professionals using only high-quality and original PONSSE parts, lubricants and filters to keep the machines in good operating condition to retain its value.



MERCEDES-BENZ ENGINES

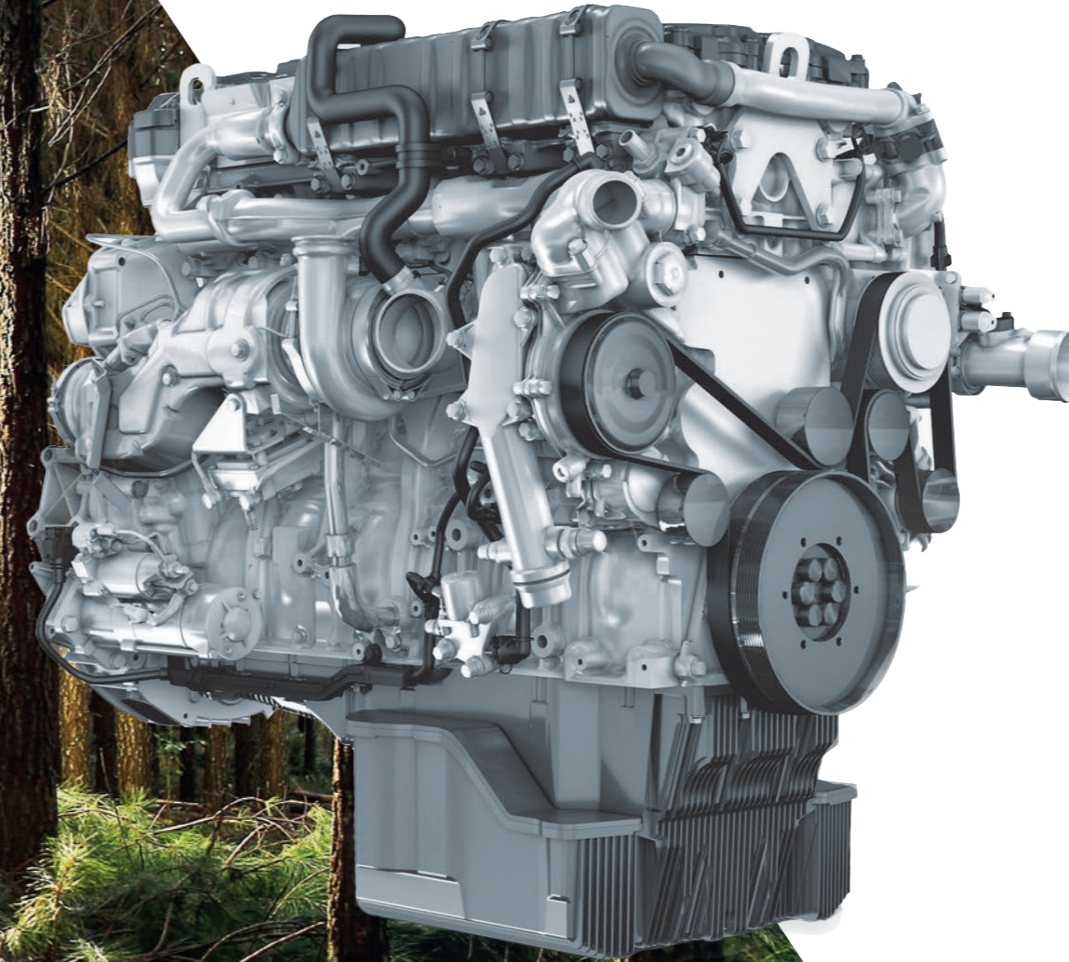
CLEANER AND MORE EFFICIENT

Explosive power and increased torque. Lower emission level and fuel consumption.

The new Mercedes-Benz STAGE V emission engines are efficient and economical. The torque has been increased, and maximum torque can be reached at lower engine speeds.

The Mercedes-Benz STAGE V emission engines are modern, emission engines with significantly lower particulate matter (PM) and nitrogen oxide (NOx) emissions compared to engines of the previous emission levels (STAGE III and IV). In addition to particulate matter, the STAGE V engines also now control particulate volume with a particulate filter (DPF).

Outside Europe an EU Stage V/Tier 4F or Stage IIIA level Mercedes-Benz engine is used depending on market specific emission requirements.



Our aim is to manufacture the most productive and economical forest machines on the market. We call this the PONSSE Boost/Save operating model.

At Ponsse, we have always put the customers first.

For decades now, we have been developing the world's best cut-to-length forest machines as well as related services and information systems. The users of the machines are the best specialists in their field, and we closely listen to their feedback. Together, we have managed to continue increasing the productivity and efficiency of harvesting and reduce the costs. This has been the result of longterm collaboration. However, we want to serve our customers even better.

Boost/Save means even more efficient products and better services for our customers. It means efficient and productive machines, agile product development, thorough training, comprehensive maintenance, original spare parts and the most modern information systems in the field.

Boost/Save means efficient and productive harvesting!

PONSSE BOOST/SAVE *POWER AND SAVINGS*



PONSSE MANAGER *REAL-TIME MANAGEMENT*

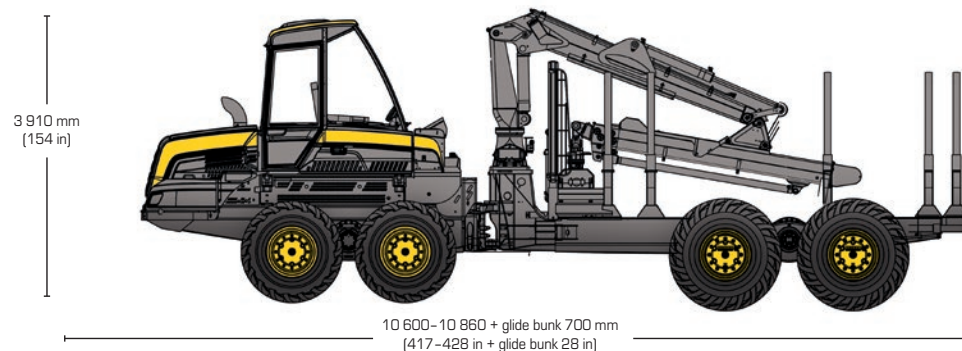
PONSSE Manager connects forest machines to an information network.

PONSSE Manager, the modern digitalization platform for forest machines, enables comprehensive services now and in the future. The easy-to-use tool offers assistance in harvesting equipment maintenance and work planning, along with providing access to extensive reporting.

PONSSE Manager provides comprehensive real-time information on equipment performance and work site status. The solution can be easily used via a smartphone, tablet or computer.



PONSSE BUFFALO KING



DIMENSIONS

Minimum weight:	20 600 kg (45,415 lbs)
Typical weight:	21 100 kg (46,517 lbs)
Length:	10 600–10 860 mm (417–428 in) + glide bunk 700 mm (28 in)
Width:	2 990–3 300 mm (118–130 in)
Transportation height:	3 910 mm (154 in)
Ground clearance:	730 mm (28.7 in)
Steering angle:	± 44 degrees

LOAD SPACE

Capacity:	18 000 kg (39,683 lbs)
Load space cross-sectional area:	5,2–5,8 m ² (56–63 sq ft)
Load space length:	5 190–5 450 mm (204–214 in) + glide bunk 700 mm (28 in)
Log gate can be moved hydraulically.	

TIRES

Front and rear:	26.5"
-----------------	-------

GRAPPLE

Model:	Several different grapple alternatives
--------	--

ENGINE

Model:	MB OM 936 LA EU Stage V MB OM 936 LA EU Stage V/Tier 4F MB OM 906 LA Stage IIIA
Power:	EU Stage V & EU Stage V/Tier 4F: 210 kW (286 hp) Stage IIIA: 205 kW (275 hp)
Torque:	1 200–1 600 rpm (EU Stage V & EU Stage V/Tier 4F: 1 200 Nm, Stage IIIA: 1 100 Nm)
Tractive force:	210 kN (49,500 lbf)
Driving speed:	20 km/h (0–12 mph)
Fuel tank volume:	200 l (53 gal US)

HYDRAULIC SYSTEM

Control system:	PONSSE Opti Control
Working pump:	190 cm ³ (11.6 cu in)
Oil tank volume:	170 l (45 gal US)

LOADER

Model:	K100+	K101	K111
Lifting moment (gross):	160 kNm (118.000 lb-ft)	140 kNm (103.300 lb-ft)	160 kNm (118.000 lb-ft)
Reach:	S/M: 7,8/9,5 m (26/31 ft)	S/M 8,1/10 m (26'7/32'10 ft)	S/M 8,1/10 m (26'7/32'10 ft)

In addition to the comprehensive standard equipment, plenty of optional equipment is available for the PONSSE Buffalo King. Consult your nearest PONSSE retailer for more information on our standard and optional equipment.



Ponsse Plc.

Ponssentie 22
74200 Vieremä
FINLAND
Tel.: +358 20 768 800
Fax: +358 20 768 8690
www.ponsse.com

Ponsse North America, Inc.

4400 International Lane
Rhineland, WI 54501
USA
Tel. 715 369 4833
Fax 715 369 4838

Ponsse UK Ltd.

4 Annan Business Park
Annan
Dumfriesshire
DG12 6TZ
UNITED KINGDOM
Tel. +44 1461 207 510
Fax +44 1461 207 511

Ponsse Machines Ireland Ltd

Cappakeel, Emo
Portlaoise
R32NN28, Laois
Ireland
Tel. +353 57 863 3762